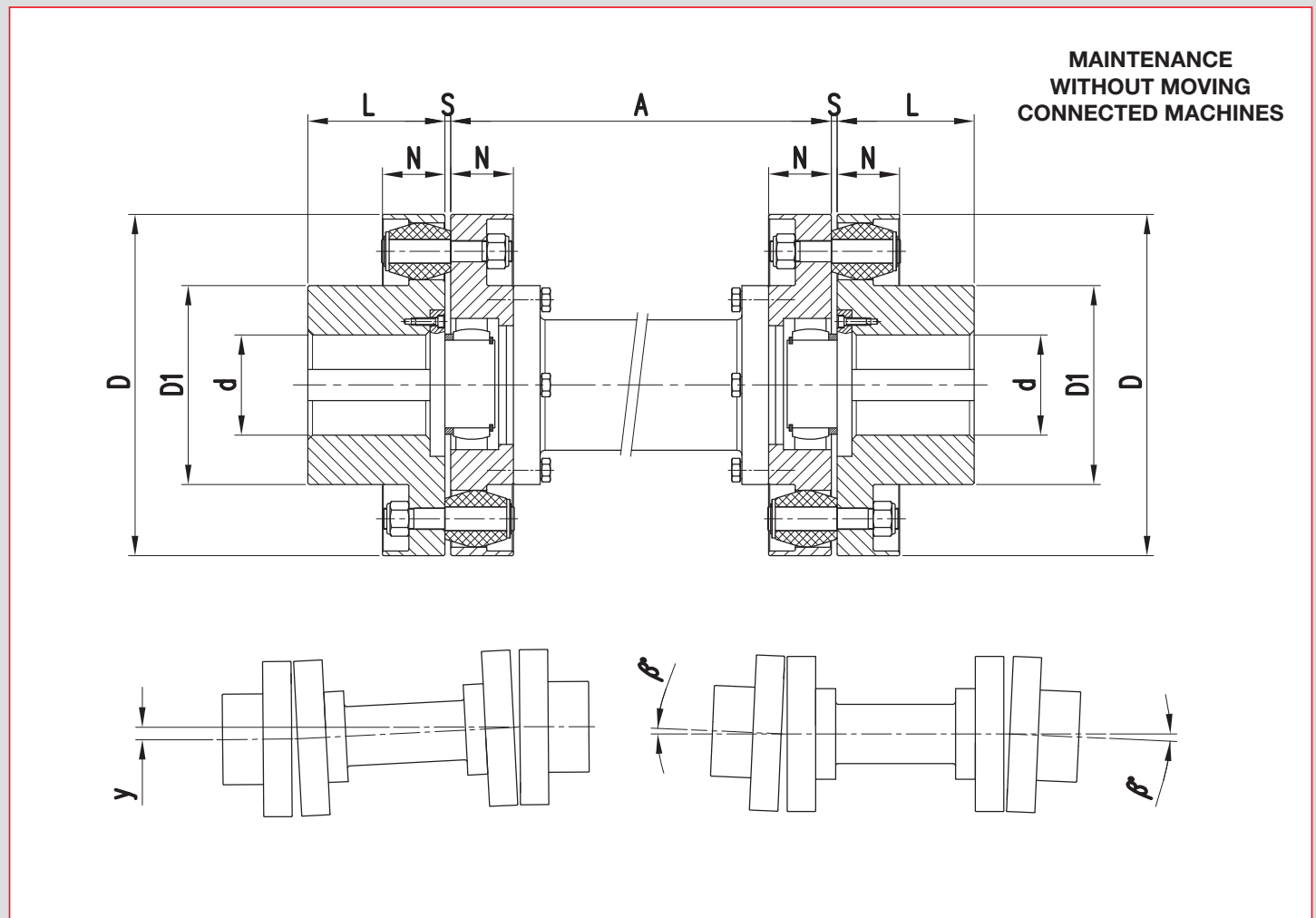


Elastic couplings with pins

PNL series, version with double coupling and supported spacer



TYPE PNL	TECHNICAL DATA			DIMENSIONS (mm)						No. Pins	MISALIGNMENT (±)	
	$\frac{N}{n} = \frac{kW}{rpm}$	Mt (Nm)	Max speed (rpm)	d _{max}	D	D1	L	N	$S \pm \frac{2}{0}$		y(mm)	B(°)
112	0,0492	470	8500	40	112	62	55	28	3	12	AS FUNCTION OF DIMENSION "A"	1°
125	0,0848	810	7680	45	125	65	60	28	6	12		
140	0,116	1110	6800	55	140	80	70			14		
160	0,147	1400	6000	60	160	85	80	12				
180	0,198	1890	5300	70	180	104	90	14				
200	0,226	2160	4800	75	200	106	100	12				
225	0,304	2900	4260	90	225	128	110	14				
250	0,503	4800	3840	95	250	130	120	54	10	12		
280	0,681	6500	3400	115	280	158	130			14		
320	0,959	9160	3000	125	320	172	140	12				
360	1,298	12400	2700	150	360	210	160	14				
400	1,466	14000	2400	160	400	224	180	12				
450	1,999	19000	2160	190	450	265	200	80	14	14		
501	2,617	25000	1920	200	500	280	220			16		

The dimension A is to be specified with the request.

For the machining of the finished bores it is necessary to specify diameters and tolerances.

You can also have oversized hubs (see **PNM** series), for high transmission (see **PNHP** series), or with oversized hubs and high transmission (see **PNMHP** series).

On request can be made couplings larger sizes.

On request is possible to have one or both hubs with different lengths.