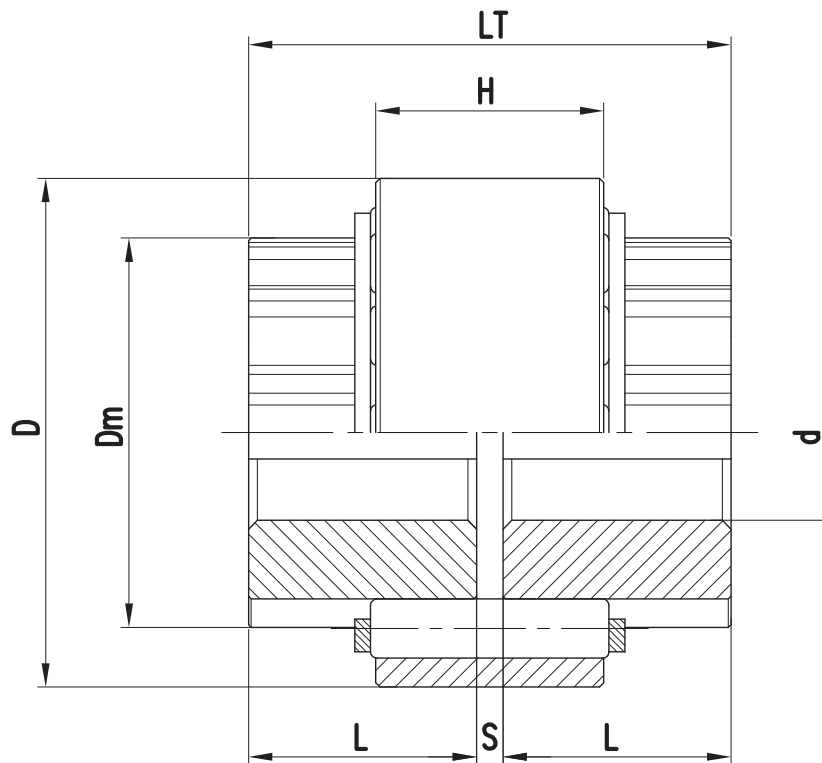


Elastic couplings in aluminum

**REVOLUTION TYPE RE** series, standard version

**MAINTENANCE  
WITHOUT MOVING  
CONNECTED MACHINES**



TYPE RE	TECHNICAL DATA				DIMENSIONS (mm)								No. elastic elements	WEIGHT (Kg)	MISALIGNMENT (±)	
	$\frac{N}{n} = \frac{kW}{rpm}$	Mt (Nm)	Max speed (rpm)	PD <sup>2</sup> (kgm <sup>2</sup> )	d min	d max	D	Dm	L	LT	s	H			axial (mm)	angular (°)
58	0,012	110	16470	0,00034	11	25	58	44	26	55	3	26	12	0,29	1	4°
67	0,019	180	14260	0,00087	13	30	67	51	35	74	4	35	12	0,45	1,2	
86	0,045	430	11100	0,0032	21	42	86	67	47	98	4	47	12	0,99	1,5	
104	0,089	850	9180	0,0078	26	50	104	81	55	114	4	55	15	1,66	2	
129	0,173	1650	7400	0,0233	36	65	129	104	65	135	5	65	15	3,58	2,5	

The Weight and the PD<sup>2</sup> are calculated considering coupling with pilot bores.

For the machining of the finished bores it is necessary to specify diameters and keyways with tolerances.

On request is possible to have one or both hubs with different lengths.