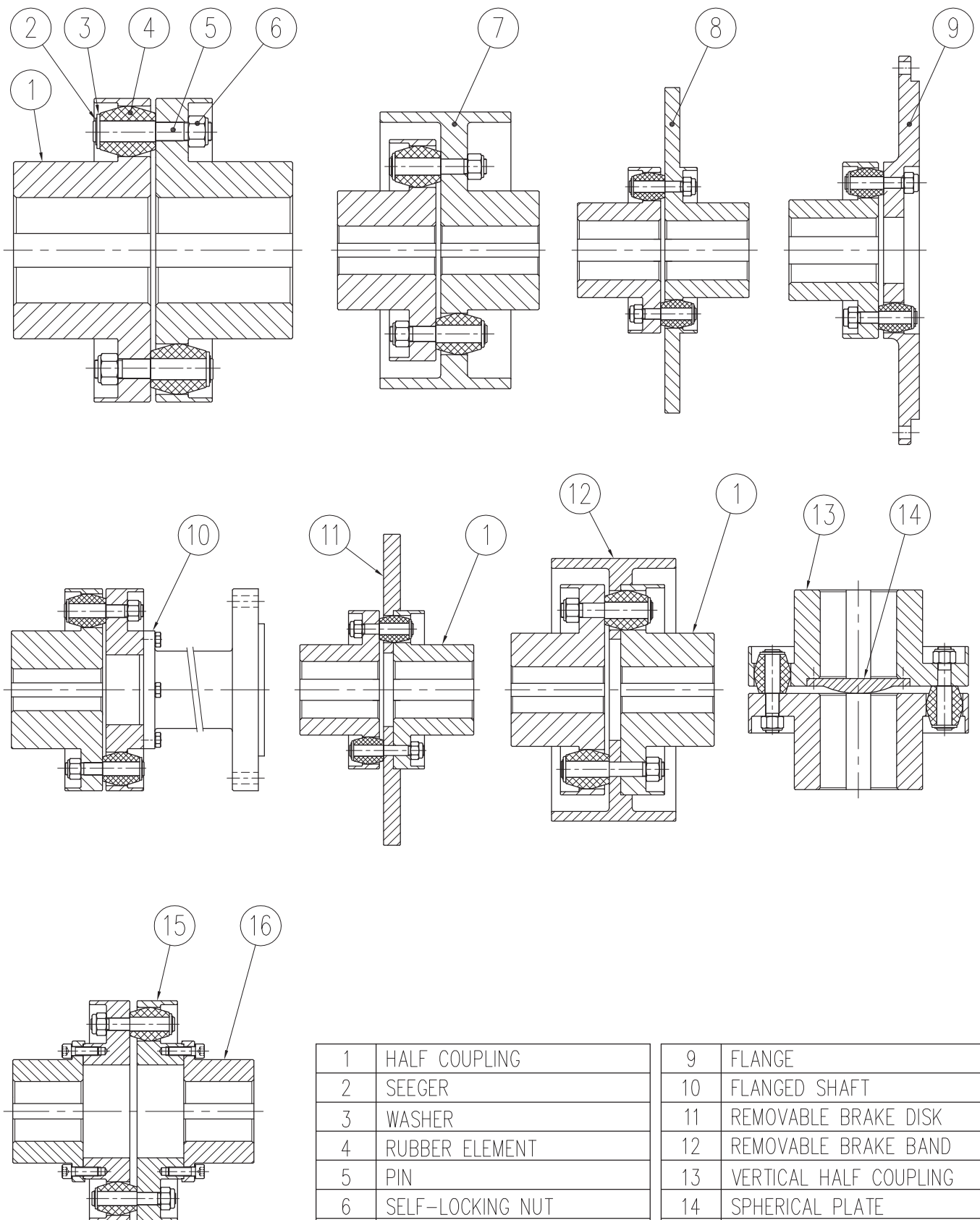
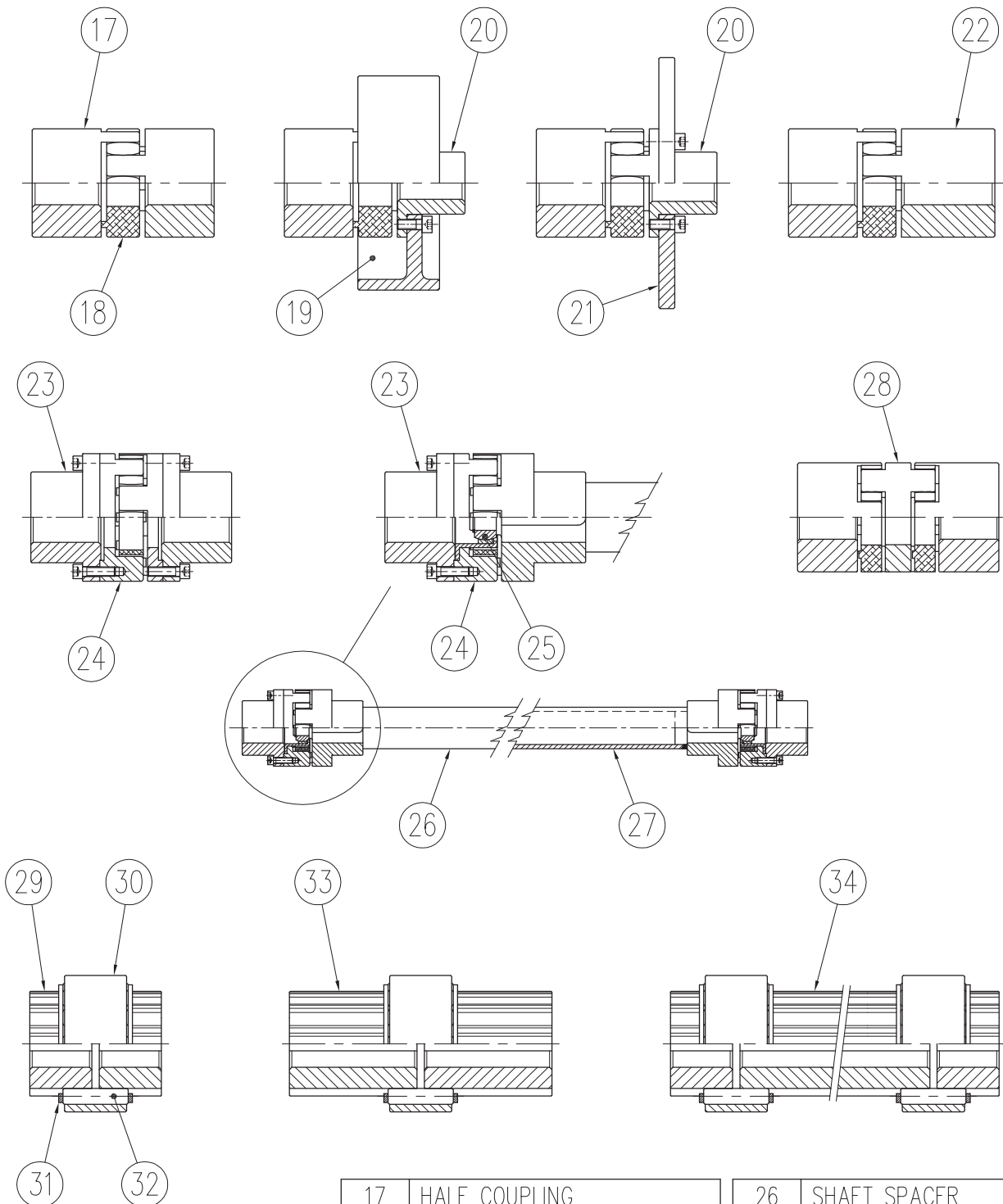


COMPONENTS



1	HALF COUPLING	9	FLANGE
2	SEEGER	10	FLANGED SHAFT
3	WASHER	11	REMOVABLE BRAKE DISK
4	RUBBER ELEMENT	12	REMOVABLE BRAKE BAND
5	PIN	13	VERTICAL HALF COUPLING
6	SELF-LOCKING NUT	14	SPHERICAL PLATE
7	HALF COUPLING BRAKE BAND	15	FLANGED HALF COUPLING
8	HALF COUPLING BRAKE DISK	16	RIGID HUB

COMPONENTS



17	HALF COUPLING	26	SHAFT SPACER
18	SPIDER	27	TUBULAR SPACER
19	BRAKE BAND	28	CARDANIC HALF COUPLING
20	DRILLED HALF COUPLING	29	HUB
21	BRAKE DISK	30	SLEEVE
22	EXTENDED HALF COUPLING	31	SEEGER
23	RIGID HUB	32	RUBBER ELEMENT
24	FLANGED HALF COUPLING	33	EXTENDED HUB
25	UNIBAL	34	FLOATING SHAFT