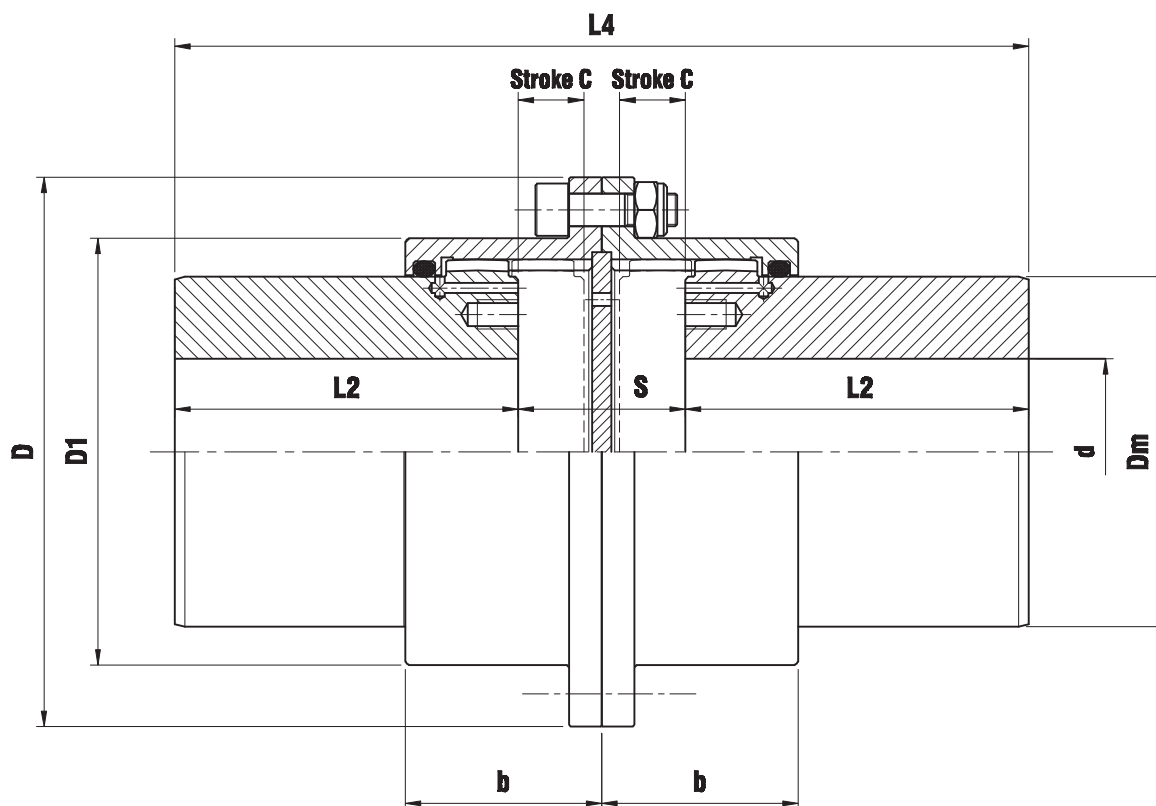


Z2SA series

Two oscillating hubs for double axial sliding



TYPE	TECHNICAL DATA				DIMENSIONS (mm)										Maximum Parallel Misalignment (mm)	Weight (Kg)
	$\frac{N}{n} = \frac{\text{kW}}{\text{rpm}}$	Torque (kNm)		Max Speed (rpm)	PD ² (kgm ²)	d max.	D	D1	Dm	L2	L4	s	b	stroke C		
		Nominal	Peak													
Z2SA - 110	0,19	1,82	4	6200	0,024	50	110	83	69	89	213	35	40	13	0,15	7
Z2SA - 142	0,30	2,85	6,27	5270	0,072	60	142	105	85	96	233	41	46	16	0,20	12
Z2SA - 168	0,59	5,6	12,32	4490	0,180	75	168	131	107	105	236	53	60	22	0,25	21
Z2SA - 200	0,93	8,8	19,36	4010	0,460	95	200	159	133	122	305	61	69	25	0,30	36
Z2SA - 225	1,50	14,3	31,46	3870	0,852	110	225	184	152	130	315	85	83	37	0,40	51
Z2SA - 265	2,41	23	50,6	3700	1,880	130	265	212	178	138	376	100	94	43	0,45	77
Z2SA - 300	3,67	35	77	3200	3,724	150	300	246	209	161	436	114	107	50	0,50	118
Z2SA - 330	4,64	44,3	97,46	2900	6,300	170	330	275	234	183	498	132	119	57	0,55	165
Z2SA - 370	7,33	70	154	2580	11,296	190	370	307	254	222	598	154	139	68	0,60	241
Z2SA - 405	8,80	84	184,8	2350	16,496	210	405	335	279	215	608	178	154	80	0,70	287
Z2SA - 440	15,95	152,3	335	2170	24,256	230	440	367	305	215	618	188	166	85	0,80	351
Z2SA - 500	21,34	203,8	448,3	1820	44,468	280	500	423	355	204	630	204	193	100	1,00	467

On request we can supply couplings with different strokes "C" and lengths "L2".

Weights and PD² are calculated considering hubs without bore.

On request we can supply couplings in ZCA version with open bells.