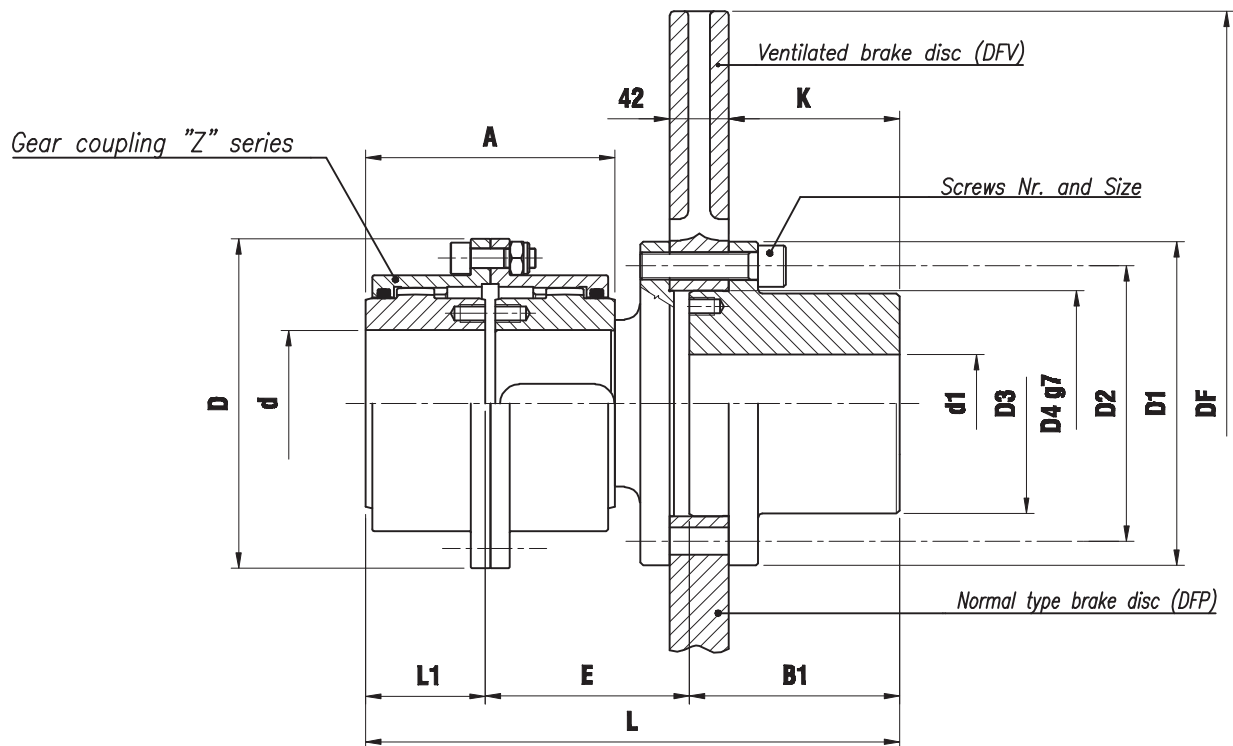


ZADF42 series

Two oscillating hubs and brake disc shaft, thickness 42 mm



TYPE	TECHNICAL DATA				DIMENSIONS (mm)														Screw Nr.	Size
	$\frac{N}{n} = \frac{kW}{rpm}$	Torque (kNm)		Max Speed (rpm)	d max.	d1 max.	D	DF	D1	D2	D3	D4 g7	A	L1	E	B1	L	K		
ZADF42 - 225D625	1,50	14,3	31,46	1550	110	150	225	625	300	260	210	220	185	90	215	140	445	120	12	M24
ZADF42 - 265D625				1550		150		625	300	260	210	220			231	140	476	120		M24
ZADF42 - 265D795	2,41	23	50,6	1200	130	185	265	795	380	330	260	280	216	105	212	180	497	160	12	M30
ZADF42 - 265D995				960											208		493			
ZADF42 - 300D625				1550		150		625	300	260	210	220			246	140	506	120		M24
ZADF42 - 300D795	3,67	35	77	1200	150	185	300	795	380	330	260	280	246	120	239	180	539	160	12	M30
ZADF42 - 300D995				960											235		535			
ZADF42 - 330D795	4,64	44,3	97,46	1200	170	185	330	795	380	330	260	280	278	135	253	180	568	160	12	M30
ZADF42 - 330D995				960											250		565			
ZADF42 - 370D995	7,33	70	154	960	190	185	370	995	380	330	260	280	308	150	298	180	628	160	12	M30

The parallel misalignment (mm) IS=Same to standard

Specify if normal type brake disc (DFP) or ventilated brake disc (DFV) when making the request.

On request we can supply couplings with different brake diameter and thickness.

On request we can supply couplings in ZCA version