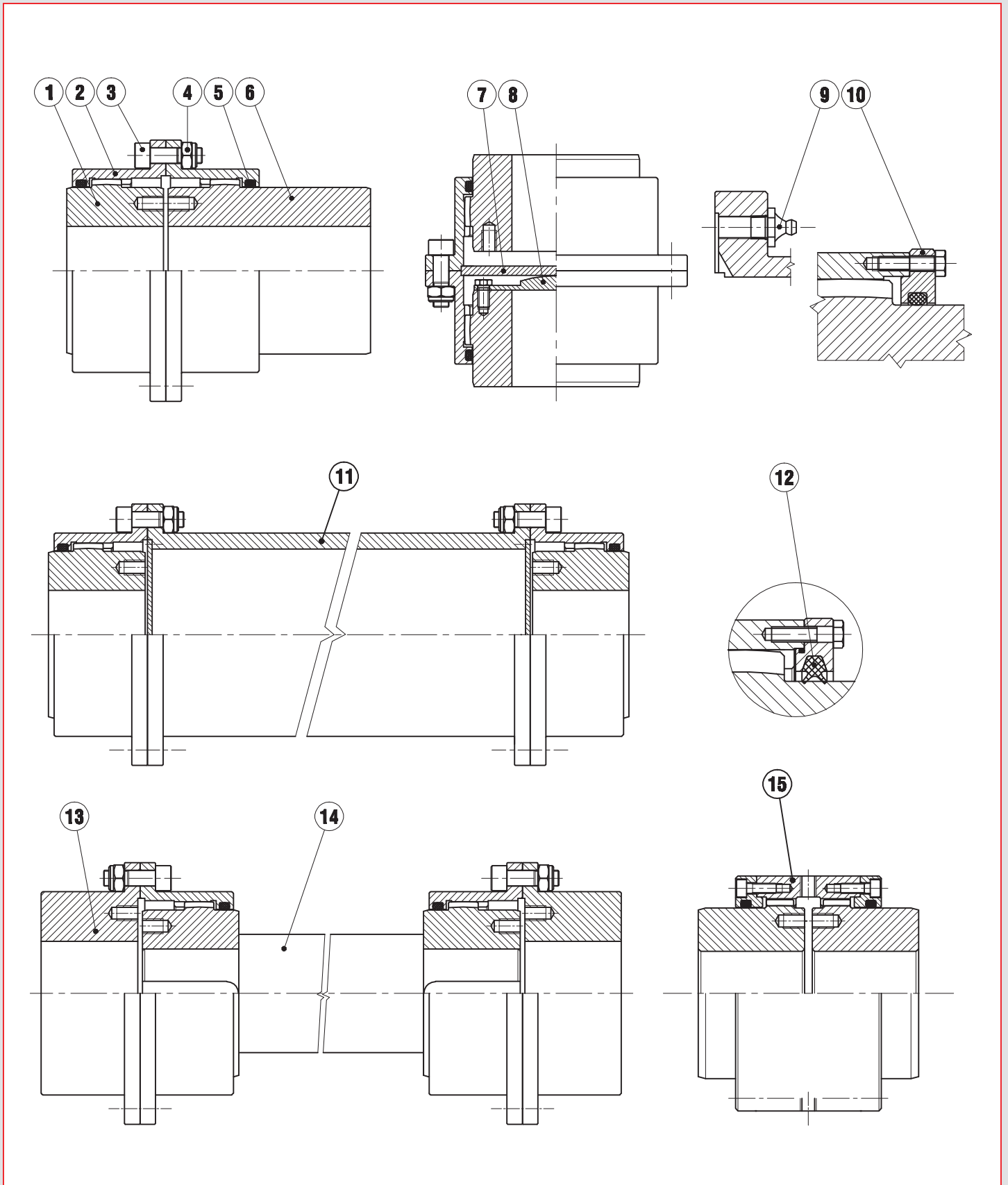
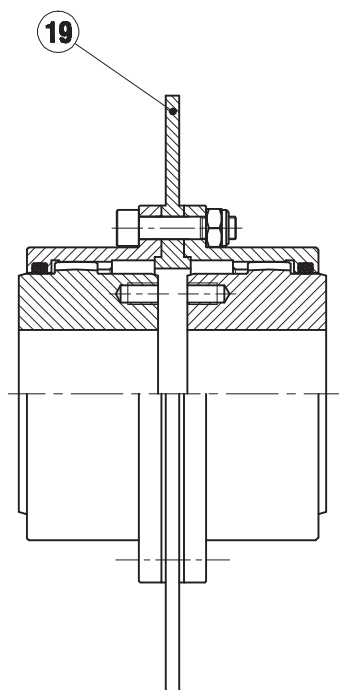
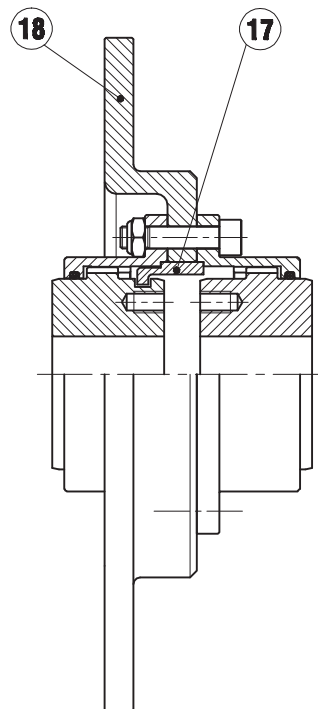
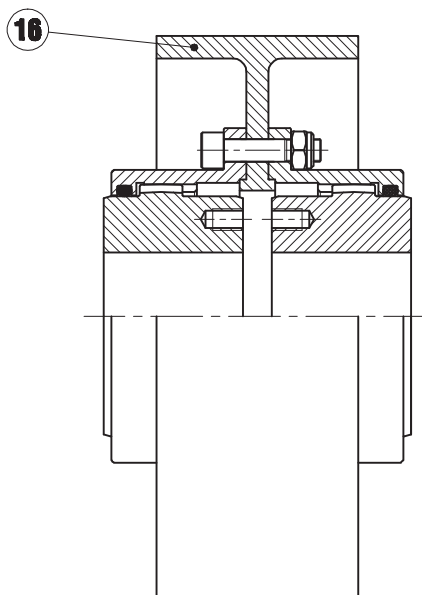


## COMPONENTS





## PARTS

01	Standard hub
02	Toothed bell
03	Calibrated screw
04	Nylon nut
05	O-ring
06	Extended hub
07	Plate
08	Convex plate
09	Nipple
10	O-ring flange
11	Spacer
12	Coupling seal
13	Rigid hub
14	Floating shaft
15	Toothed sleeve
16	Brake band
17	Twiflex brake disc
18	Gar ring (reduced backlash)
19	Iron brake disc